

## Specifications

Electrical Ratings	200mA @ 30VDC	Actuation Force	200 ± 100gF
Electrical Life	10,000 cycles typical	Actuation Travel	2.0mm total
Contact Resistance	<50mΩ initial	Operating Temperature	-40°C to 85°C
Dielectric Strength	1000Vrms min	Storage Temperature	-40°C to 85°C
Insulation Resistance	>100MΩ min		

## Materials

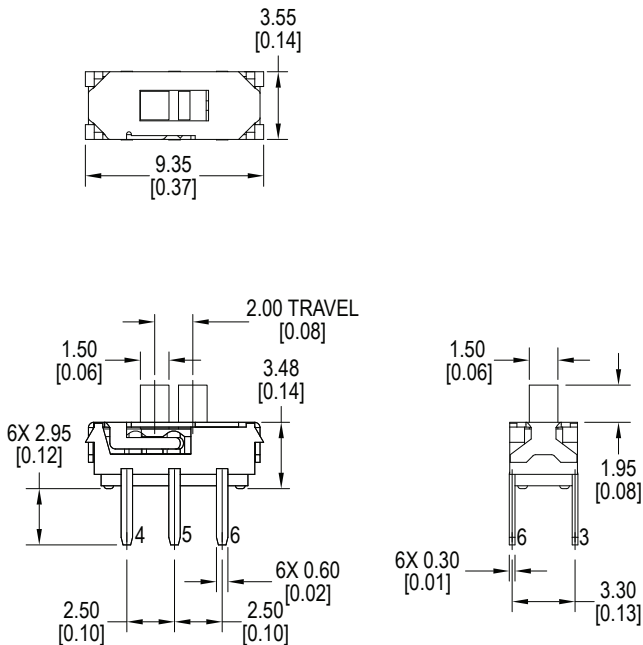
Actuator	PA6T Nylon
Housing	PA6T Nylon
Cover	Stainless Steel
Contacts	Copper Alloy, Silver Plated
Terminals	Copper Alloy, Silver Plated

## Ordering Information

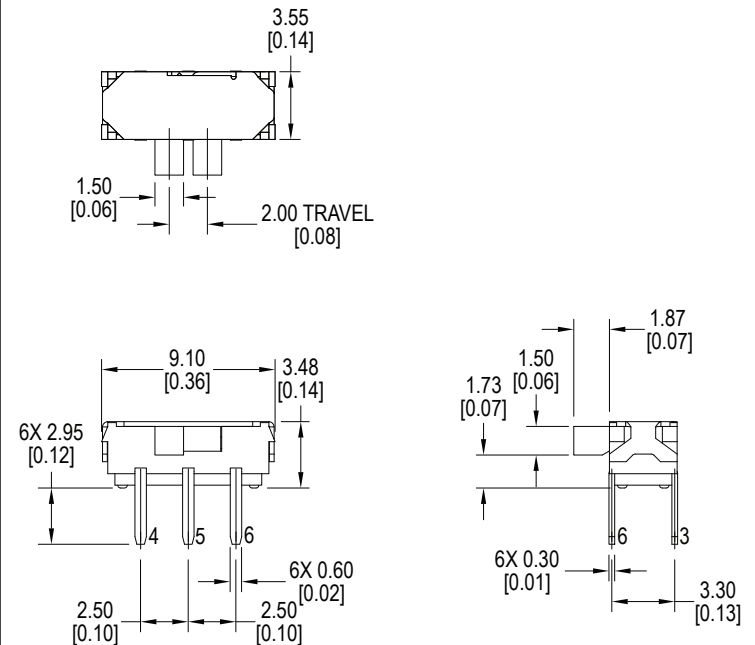
1. Series	MS1271	2
	MS1271 MS1271R, right angle	
2. Actuator Color		
	1 = White 2 = Black	

## Dimensions

MS1271



MS1271R, Right Angle



## Schematic & PC Layout

